

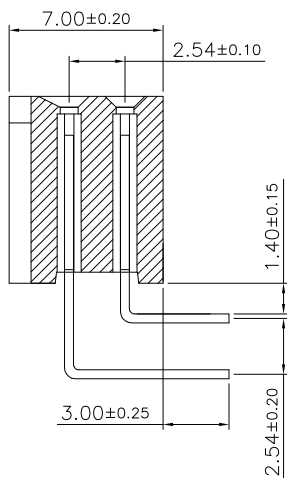
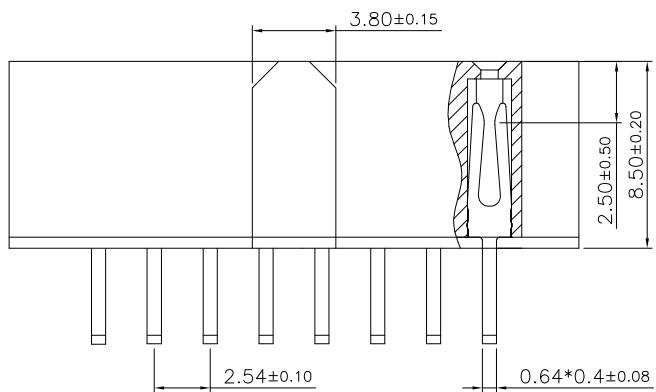
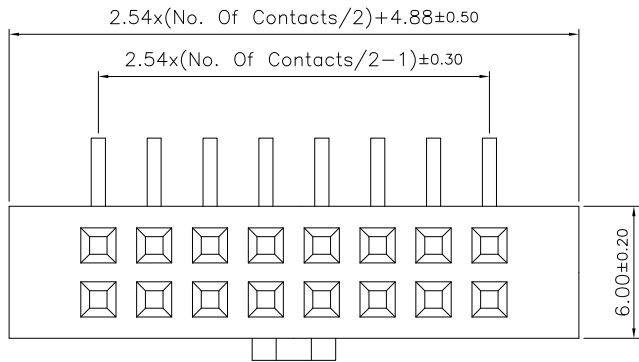
1

2

3

4

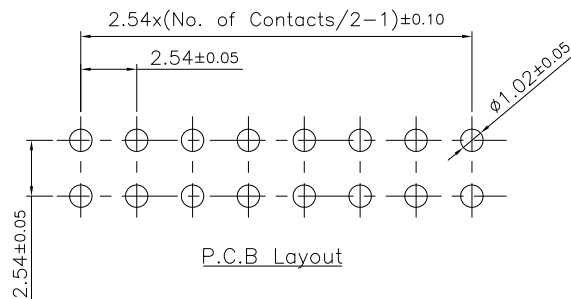
5



Specifications:  
 Current Rating:3.0A AC/DC  
 Contact Resistance:20m ohm. max.  
 Insulation Resistance:1,000M ohm. min.  
 Withstanding Voltage:500V For One Minute  
 Operating Temperature Range:-40°C ~ +105°C

Material and Finish  
 Insulator:Thermoplastic or High Temperature Plastic(UL94V-0)  
 Insulator Color:Black  
 Contact:Copper Alloy  
 Plated:Gold/Tin/Selective Gold Plated

How To Order  
 SH4-XXX-PT-XX  
 Blank PBT  
 F2:Nylon 6T  
 F5:Nylon 9T  
 G:Gold Plated  
 T:Tin Plated  
 S:Selective Gold Plated  
 No. of Contacts



Available from 04-80 circuits

RoHS Compliant

F				DRAWN:	GENERAL TOLERANCE:	<b>OST</b>	ON-SHORE TECHNOLOGY, INC.
E				Jamie Chuang	.X=±0.30 .XX=±0.20		
D				CHECKED:	UNIT: MM	DESCRIPTION:	SIZE
C				Jerry Chen	SCALE:	2.54mm PCB Socket Double Row R/A Type Thick Wall With Key	
B				APPROVAL:	SHEET: 1/1	PART NO:	D
A	13-FEB-2023		Lisy	Rory Chen	PROJECTION:	SH4-XXX-PT	
REV	DATE	FILE	BY				