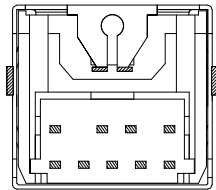
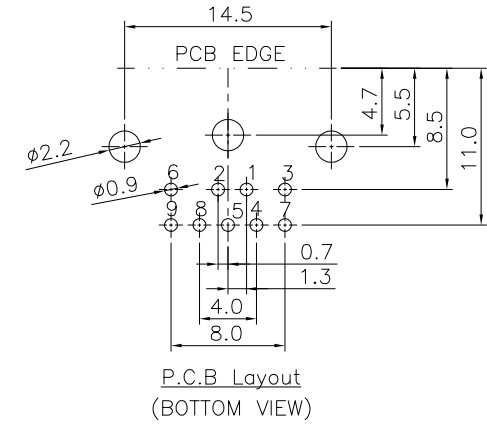


**Specifications:**  
 Current rating: 1.0A AC/2.0 DC  
 Voltage rating: 100V AC/12V DC  
 Contact resistance: 30m ohm. max.  
 Insulation resistance: 100M ohm. Min.  
 Withstanding voltage: 250V AC for one minute


**Material and Finish:**  
 Insulator: Thermoplastic (UL94V-0)  
 Standard Color: Black  
 Contact: Copper Alloy  
 Plating: Selective Gold Plated  
 Shield: Copper Alloy, Tin Plated

How To Order  
 MD-9056

— No. Of Contacts



RoHS Compliant

F				DRAWN:	GENERAL TOLERANCE:	 ON-SHORE TECHNOLOGY, INC.	DESCRIPTION:	SIZE
E				Justin Ho	.X=±0.25 .XX=±0.13			
D				CHECKED:	UNIT: MM	MINI DIN JACK FLAT 9 PIN DIP 5 Wall Shield	A4	
C				Jerry Chen	SCALE:			
B	28-MAR-2024	Update Drawing	Jamie	APPROVAL:	SHEET: 1/1	PART NO:	MD-9056	
A	04-FEB-2016		Justin Ho	Mike Wu	PROJECTION:			
REV	DATE	FILE	BY					