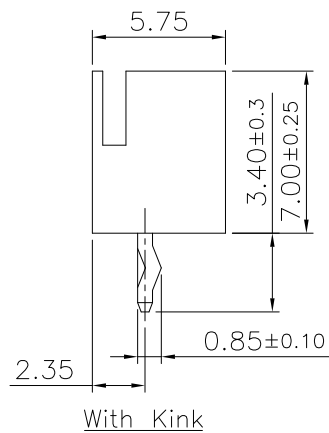


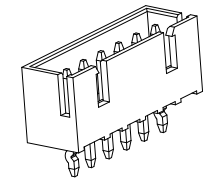
W/O Kink



With Kink

Specifications:

Current Rating: 3.0A AC, DC  
 Voltage Rating: 250V AC, DC  
 Contact Resistance: 10mohm Max  $\triangle C$   
 Insulation Resistance: 1000Mohm Min.  
 Withstanding Voltage: 1000V AC/minute  
 Operating Temperature Range: -25°C ~ +85°C  $\triangle C$



Material And Finish:

Insulator: Nylon 66 (UL94V-0)  
 Insulator Color: White  
 Contact: Brass  
 Plated: Tin Plated

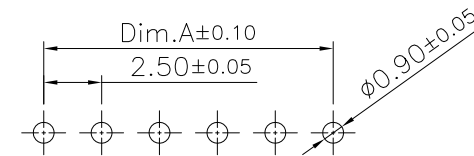
How To Order:

250B2XX0X-XX

- BK: Black Insulator
- Blank: White
- 0: W/O Kink (2~16, 20P)
- 1: With Kink (2~12P)
- No. of circuits

$\triangle D$  Dimension:

| POS. | Dim.A | Dim.B | POS. | Dim.A | Dim.B | POS. | Dim.A | Dim.B |
|------|-------|-------|------|-------|-------|------|-------|-------|
| 02   | 2.50  | 7.50  | 09   | 20.00 | 25.00 | 16   | 37.50 | 42.50 |
| 03   | 5.00  | 10.00 | 10   | 22.50 | 27.50 | 20   | 47.50 | 52.50 |
| 04   | 7.50  | 12.50 | 11   | 25.00 | 30.00 |      |       |       |
| 05   | 10.00 | 15.00 | 12   | 27.50 | 32.50 |      |       |       |
| 06   | 12.50 | 17.50 | 13   | 30.00 | 35.00 |      |       |       |
| 07   | 15.00 | 20.00 | 14   | 32.50 | 37.50 |      |       |       |
| 08   | 17.50 | 22.50 | 15   | 35.00 | 40.00 |      |       |       |



P.C.B Layout

RoHS Compliant

| REV | DATE        | FILE              | BY     | DRAWN:    | GENERAL TOLERANCE:        | DESCRIPTION:                             |  |
|-----|-------------|-------------------|--------|-----------|---------------------------|--|--|
| F   |             |                   |        | ZHW       | .X = ±0.20<br>.XX = ±0.15 | 2.50mm Wire To Board Wafer Straight Type |  |
| E   | 01-Dec-2021 | Add color Options | Lisy   | CHECKED:  | UNIT: MM                  | SIZE                                     |  |
| D   | 07-Jan-2020 | Add K Type        | Romina | JEREMY    | SCALE: 1:1                | 2.50mm Wire To Board Wafer Straight Type |  |
| C   | 06-May-2014 | ECN-TW1404004     | Cherry | APPROVAL: | SHEET: 1/1                | PART NO:                                 |  |
| B   | 22-JUL-2010 | ECN-TW100706      | Allen  | MIKE      | PROJECTION:               | 250B2XXX                                 |  |
| A   | 17-MAY-2006 |                   | ZHW    |           |                           |  |  |
| REV | DATE        | FILE              | BY     | MIKE      |                           |  |  |



ON-SHORE TECHNOLOGY, INC.

DESCRIPTION: 2.50mm Wire To Board Wafer Straight Type  
 PART NO: 250B2XXX

SIZE