

SIGN	DATE	DESCRIPTION	APPROVER
	2015.05.18	Added dimension for latch	
<i>THIS IS CAD DRAWING, DO NOT REVISE MANUALLY!!!</i>			

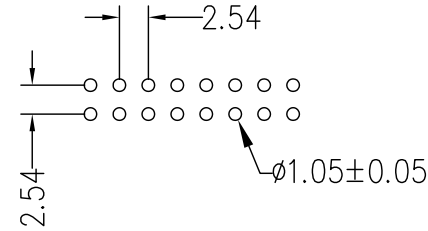
Material

- Insulator: Glass Filled Polyester
- Flammability: UL94V-0
- Color: Black
- Contacts: Brass
- Plating: Gold Flash over Nickel
Optional plating available, may require MOQ

Ratings

- Current: 3A
- Voltage: 250V AC(r.m.s.)
- Contact Res: <20mΩ
- Insulation Res: >1,000 MΩ
- Operating Temp: -55° - +85°

RoHS Compliant



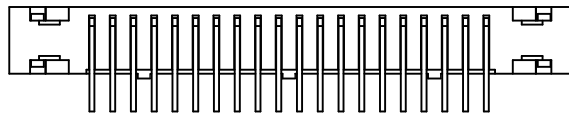
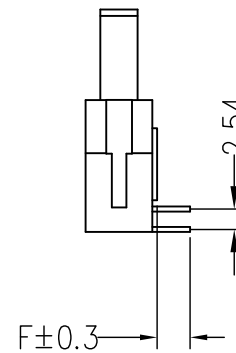
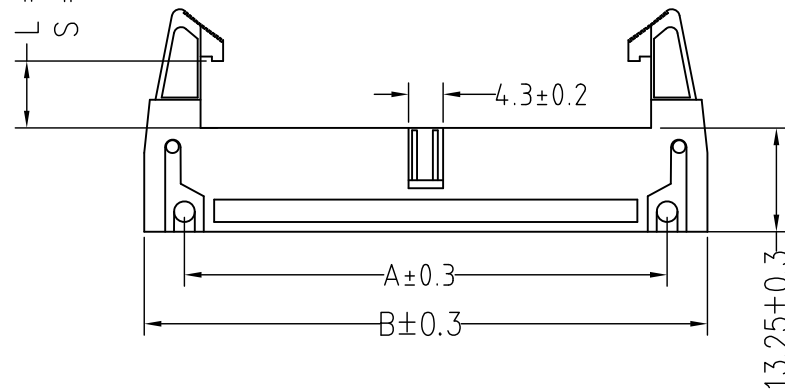
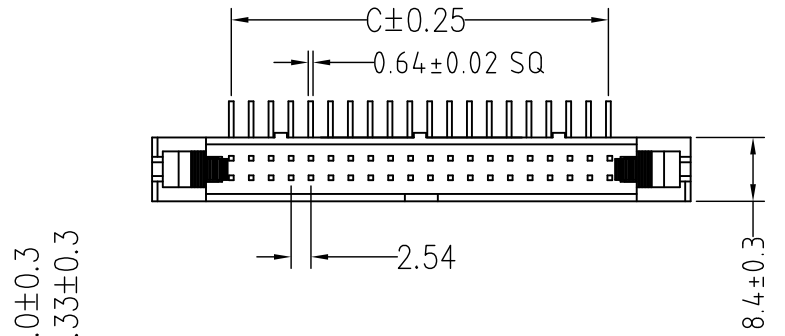
P.C.B LAYOUT

Contoct	A	B	C
10	21.66	31.88	10.16
14	26.67	36.96	15.24
16	29.30	39.50	17.78
20	34.38	44.58	22.86
24	39.46	49.66	27.94
26	42.00	52.20	30.48
30	47.08	57.28	35.56
34	52.16	62.36	40.64
40	59.78	69.98	40.64
50	72.48	82.68	60.96
60	85.18	95.38	73.66
64	90.26	100.46	78.74

PART NUMBER:

301-XRXX1

- Latch type:
 S: Short
 L: Long
 N: No latch
- Number of Circuits:
 See Chart for options
 Dim. F
 4.00 - leave blank (std)
 2.80 - add 2.8 to end of p/n



THESE DRAWINGS AND SPECIFICATIONS ARE THE PROPERTY OF ON-SHORE TECHNOLOGY, INC. AND SHALL NOT BE REPRODUCED, COPIED OR USED IN ANY MANNER WITHOUT THE PRIOR WRITTEN CONSENT OF ON-SHORE TECHNOLOGY, INC.



TITLE	301 Series - Right Angle Latch Header			DWG NO.	301-XRXX1.DWG	
PART NO.	301-XRXX1			1200		
APPROVED	CHECKED	DESIGNED	DRAWN	Tolerance		
	Marvin 2006.02.08	Marvin 2006.02.08	Marvin 2006.02.08	X. ±0.35		X.X ±0.25
				UNIT: mm		
				SCALE: NONE		
				REV.: A		
				SHEET: 01/01		