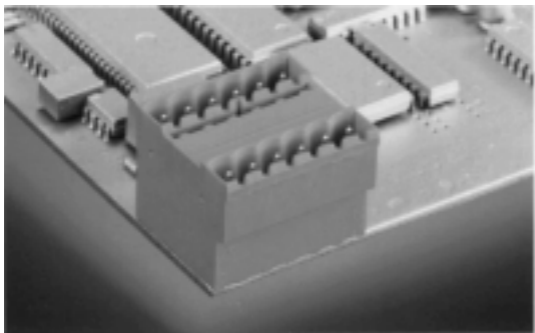


# EDSTL975/X



2-24 poles, Spacing 5.0 mm  
insert required no. of poles  $\times$   
How to order see page 5



## Ratings:

Rated Voltage	300 V	250 V
Rated Current	15 A	12 A (T60)
Rating Impulse Voltage/Dirt Level		4 kV/3

## Dimensions

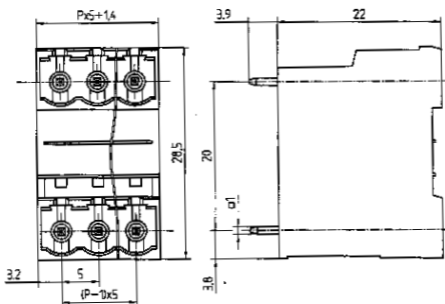
Spacing	5.0 mm
PCB Hole Diameter	1.4 mm

## Materials

Insulating Material	PA
Flammability Class	UL94 V-0
Temperature Range	-30°C/+105°C
Contact Pin	Cu

## Color

Green



**P = No. of poles**