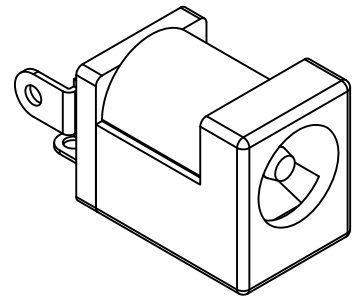
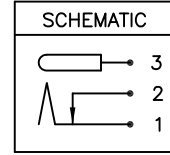


SIGN	DATE	DESCRIPTION	APPROVER
THIS IS CAD DRAWING, DO NOT REVISE MANUALLY!!!			

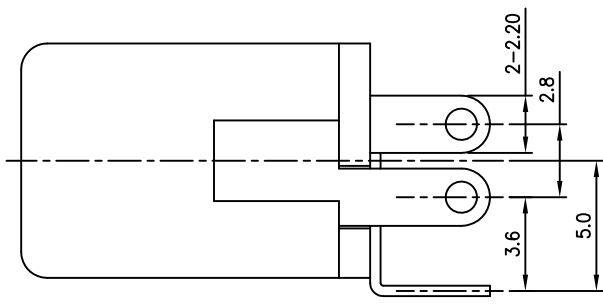
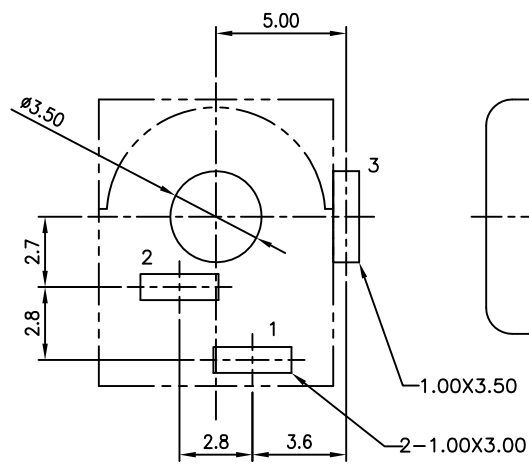
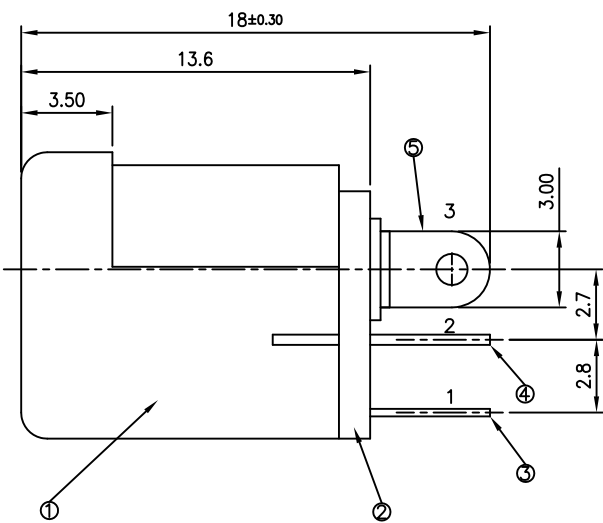
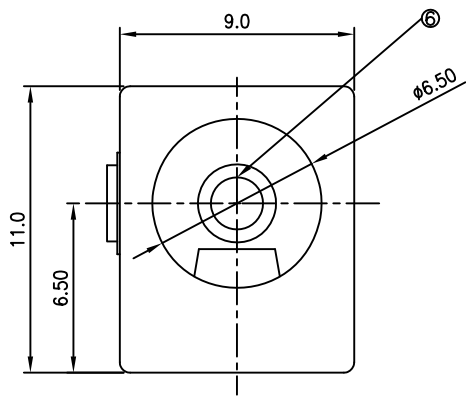
Technical Data:
Voltage rating: 13.5 Volts DC
Current rating: 2.5 Amps DC
Operating temperature: -25°C to +85°C
Soldering reliability:
temperature= 260°C ±5°C
5 ± 1 seconds max

RoHS Compliant



ORDER INFORMATION:
DCJ-0222A-XX
CENTER PIN:(UNIT:mm)
20-2.0
25-2.5

ITEM	DESCRIPTIONs	MATERIAL	FINISH	QTY	NOTE
⑥	CENTER PIN	COPPER	NI	1	
⑤	PIN TERMINAL	COPPER ALLOY	TIN	1	
④	SPRING SHUNT	COPPER ALLOY	TIN	1	
③	SPRING CONTACT	COPPER ALLOY	TIN	1	
②	BOTTOM COVER	THERMOPLASTIC		1	
①	HOUSING	THERMOPLASTIC		1	



RECOMMENDED PCB LAYOUT
<BOTTOM VIEW>
NOTE : TOLERANCE FOR PCB LAYOUT IS ± 0.05

THESE DRAWINGS AND SPECIFICATIONS ARE THE PROPERTY OF ON-SHORE TECHNOLOGY, INC. AND SHALL NOT BE REPRODUCED, COPIED OR USED IN ANY MANNER WITHOUT THE PRIOR WRITTEN CONSENT OF ON-SHORE TECHNOLOGY, INC.



TITLE		DCJ 0222A Series - DC Power Jack, Vertical			
PART NO.		DCJ-0222A-XX		DWG NO. DCJ-0222A-XX.DWG	
APPROVED	CHECKED	DESIGNED	DRAWN	Tolerance	
Lewis 2008.06.23	Marvin 2008.06.23	Marvin 2008.06.23	Marvin 2008.06.23	.x ± 0.3 .xx ± 0.2 x' ± 5' x' ± 3'	
SHEET: 01/01				UNIT: mm	SCALE: NONE
REV: A					

CUSTOMER