

| | | | |
|------|------|-------------|----------|
| SIGN | DATE | DESCRIPTION | APPROVER |
| | | | Tony |

THIS IS CAD DRAWING, DO NOT REVISE MANUALLY!!!

SPECIFICATIONS

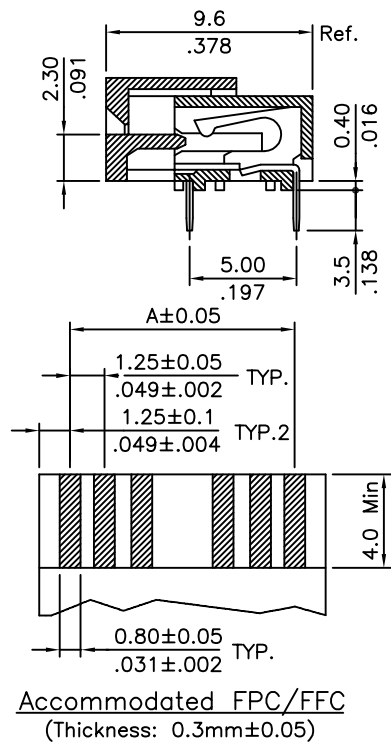
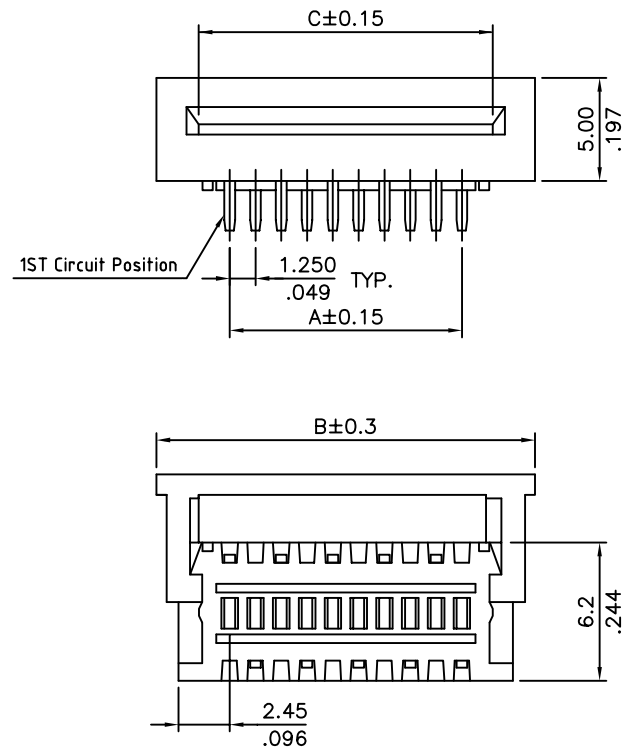
RATINGS

- Current Rating: 1A
- Voltage Rating: 200V AC(r.m.s.)
- Temperature Range: -40°C ~ +105°C
- Contact Resistance: $\approx 20m\Omega$
- Insulation Resistance: >500M Ω
- Dielectric Withstanding Volt: 500V AC for 1 min

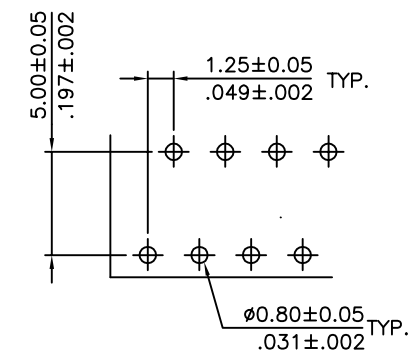
MATERIAL

- Body: Glass Filled Polyester
- Contact: Phosphor Bronze
- Flammability: UL94V-0
- Packaging: Tube
- Plating: Tin over Nickel

RoHS Compliant



$A = 1.25 * \text{No. of Spaces}$
 $B = A + 7.05$
 $C = A + 2.7$



Recommended P.C. Board Layout

Part Number

FPC1251DXXRT5TU

of circuits
03 - 32

THESE DRAWINGS AND SPECIFICATIONS ARE THE PROPERTY OF ON-SHORE TECHNOLOGY, INC. AND SHALL NOT BE REPRODUCED, COPIED OR USED IN ANY MANNER WITHOUT THE PRIOR WRITTEN CONSENT OF ON-SHORE TECHNOLOGY, INC.



| | | | | | | | |
|--------------------|---------------------|----------------------|---------------------|--|--|--|--|
| TITLE | | | | FPC 1.25mm, ZIF, FFC/FPC Right/angle thru hole connector | | | |
| PART NO. | | FPC1251DXXRT5TU | | DWG NO. | | FPC1251DXXRT5TU.DWG | |
| APPROVED | CHECKED | DESIGNED | DRAWN | 4050 | | Tolerance | |
| Alex 2006.01.18 | David 2006.01.16 | Eisley 2006.01.16 | Sandy 2006.01.14 | | | UNIT: mm/inch SCALE: NONE REV: A | |
| SHEET: 01/01 | | | | .X ±0.25/0.010 .XX ±0.15/0.006 .XXX ±0.08/0.003 | | | |