

SIGN	DATE	DESCRIPTION	APPROVER
			Tony

THIS IS CAD DRAWING, DO NOT REVISE MANUALLY!!!

SPECIFICATIONS

RATINGS

- Current Rating: 1A
- Voltage Rating: 100V AC (r.m.s.)
- Temperature Range: -25°C ~ +85°C
- Contact Resistance: <20mΩ
- Insulation Resistance: >500MΩ
- Dielectric Strength: 500V AC for 1 minute

MATERIAL:

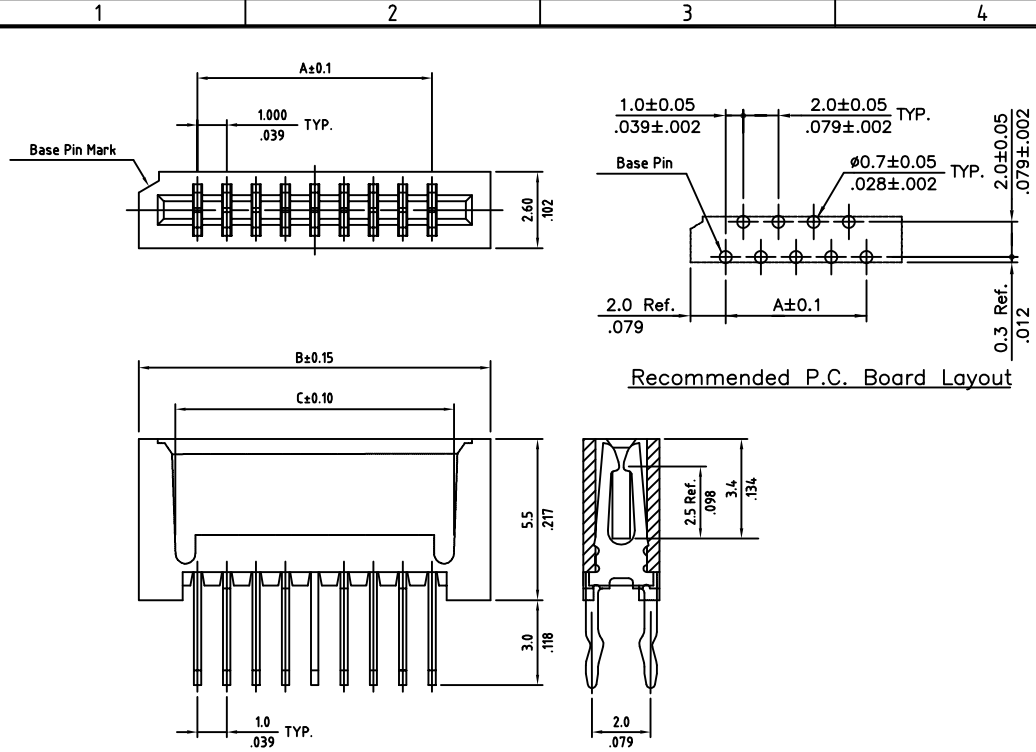
- Body: Glass Filled Nylon 6T
- Contact: Phosphor Bronze, Tin plated
- Flammability: UL94V-0
- Color: Brown
- Packaging: Tube

RoHS Compliant

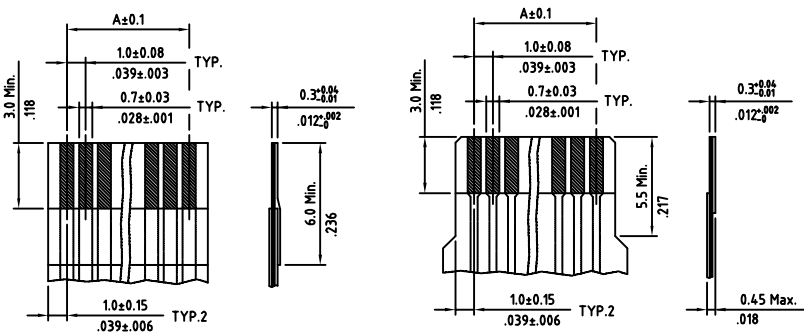
Part Number

FPC100DXXVT5TU

of circuits



Recommended P.C. Board Layout



Accommodated FFC

Accommodated FPC

THESE DRAWINGS AND SPECIFICATIONS ARE THE PROPERTY OF ON-SHORE TECHNOLOGY, INC. AND SHALL NOT BE REPRODUCED, COPIED OR USED IN ANY MANNER WITHOUT THE PRIOR WRITTEN CONSENT OF ON-SHORE TECHNOLOGY, INC.



TITLE				1.00mm, LIF, Vertical top entry FPC/FFC connector			
PART NO.		FPC100DXXVT5TU		DWG NO.		FPC100DXXVT5TU.DWG	
APPROVED	CHECKED	DESIGNED	DRAWN	4050		Tolerance	
Alex 2007.09.22	David 2007.09.22	Eisley 2007.09.22	Sandy 2007.09.22			UNIT: mm/inch	.X ±0.15/0.006
				SHEET: 01/01		SCALE: NONE	.XX ±0.10/0.004
						REV: A	.XXX ±0.05/0.002