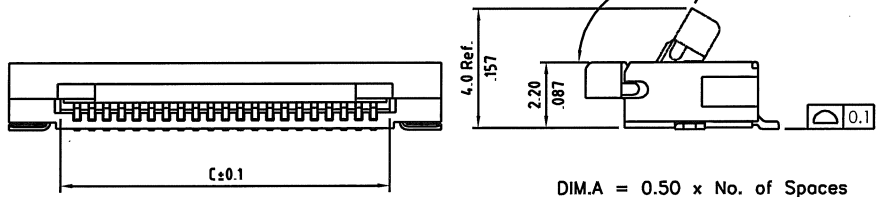
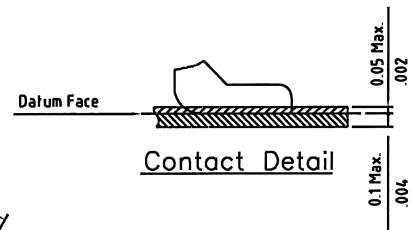
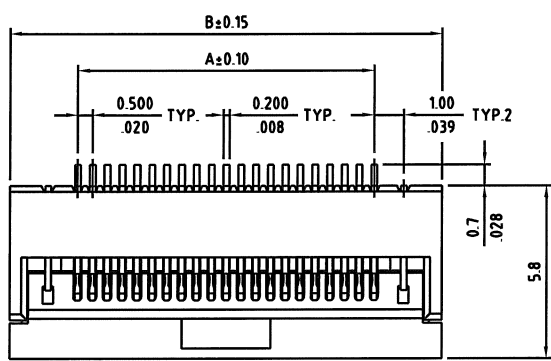
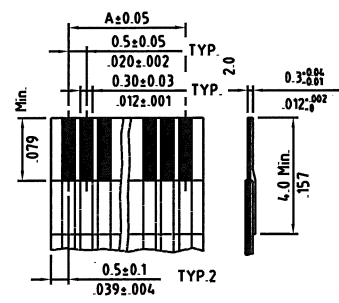
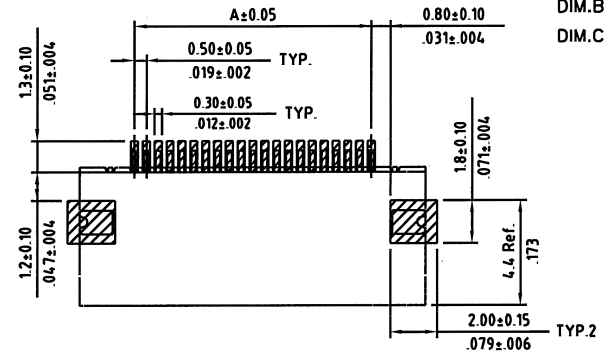


| | | | |
|--|------|-------------|----------|
| SIGN | DATE | DESCRIPTION | APPROVER |
| | | | Tony |
| THIS IS CAD DRAWING, DO NOT REVISE MANUALLY!!! | | | |



DIM.A = 0.50 x No. of Spaces
 DIM.B = DIM.A + 4.6
 DIM.C = DIM.A + 1.1



SPECIFICATIONS

RATINGS
 Current Rating: 0.5A
 Voltage Rating: 50V AC(r.m.s.)
 Temperature Range: -40°C ~ +105°C
 Contact Resistance: <50mΩ
 Insulation Resistance: >500MΩ
 Dielectric Withstanding Volt: 150V AC for 1 min

MATERIAL:
 Body: PA6T with 30% GF, Color Ivory
 Slider: PA6T with 30% GF, Color Black
 Contact: Phosphor Bronze
 Plating: 120u" Tin over 30u" Nickel
 Fixed Tab: Brass with Tin plating
 Flammability: UL94V-0

RoHS Compliant

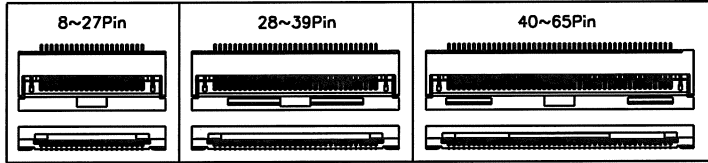
Part Number

FPC0504XXSD5XX

of circuits: 08 - 65
 Packaging: TU - tube, TR - tape/reel (2k)

Recommended P.C. Board Layout

Accommodated FFC/FPC

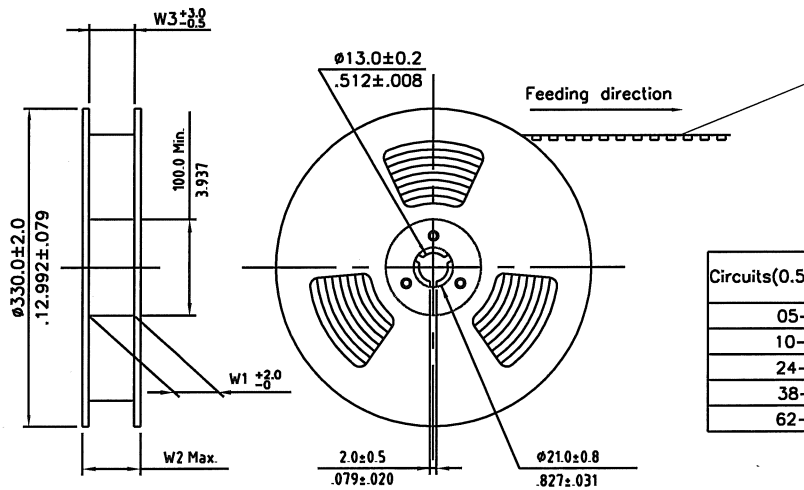


THESE DRAWINGS AND SPECIFICATIONS ARE THE PROPERTY OF ON-SHORE TECHNOLOGY, INC. AND SHALL NOT BE REPRODUCED, COPIED OR USED IN ANY MANNER WITHOUT THE PRIOR WRITTEN CONSENT OF ON-SHORE TECHNOLOGY, INC.

OST ON-SHORE TECHNOLOGY, INC.

| | | | |
|-----------------|--|-------------------|--------------------|
| TITLE | FPC0504 Series - 0.50mm, One-Touch FFC/FPC SMT | | |
| PART NO. | FPC0504XXSD5XX | DWG NO. | FPC0504XXSD5XX.DWG |
| APPROVED | CHECKED | DESIGNED | DRAWN |
| Alex 2007.09.03 | David 2007.09.03 | Eisley 2007.09.03 | Sandy 2007.09.03 |
| | | | 4050 |
| | | | Tolerance |
| | | | UNIT: mm/inch |
| | | | SCALE: NONE |
| | | | X ±0.15/0.006 |
| | | | XX ±0.10/.004 |
| | | | XXX ±0.05/.002 |
| SHEET: 01/02 | | | REV: A |

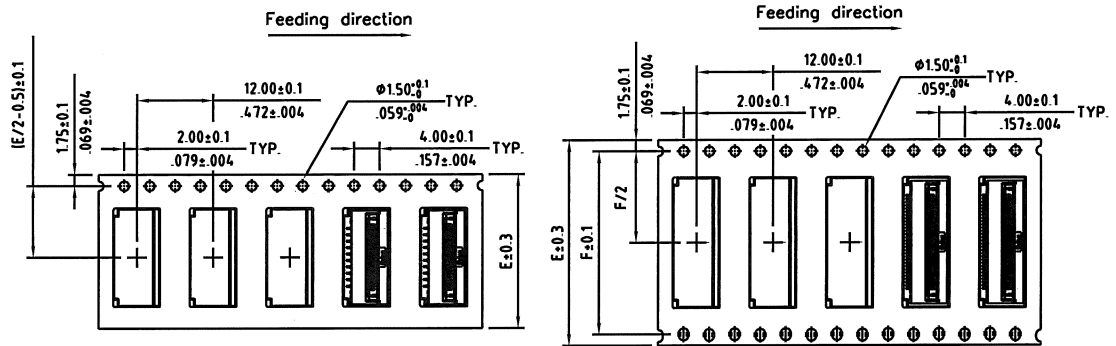
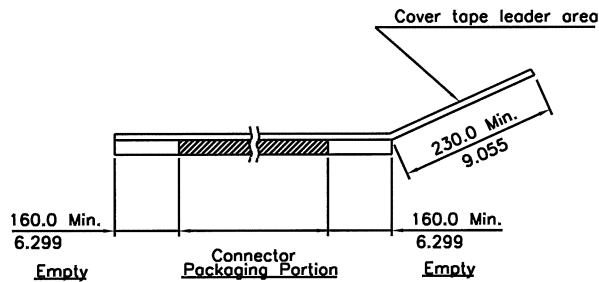
| | | | |
|--|------|-------------|----------|
| SIGN | DATE | DESCRIPTION | APPROVER |
| | | | Tony |
| THIS IS CAD DRAWING, DO NOT REVISE MANUALLY!!! | | | |



NOTES:

- 10 sprocket hole pitch cumulative tolerance ± 0.20
- Carrier camber is within 1 mm in 250 mm.
- Material :Transparent Anti-static Polysyrene.
- All dimensions meet EIA-481-2 requirements.
- Thickness : 0.35 ± 0.05 mm.
- Packing length per 22" Reel : 56 Meters.
- Component load per 13" Reel : 2000 pcs.

| Circuits(0.5mm Pitch) | Dimension | | | | | Packing (Reel/Carton) |
|-----------------------|-------------|--------------|-------------|-------------|-------------|-----------------------|
| | E | F | W1 | W2 | W3 | |
| 05-09 | 16.0(.630) | — | 16.5(.650) | 22.5(.885) | 16.5(.650) | 9 |
| 10-23 | 24.0(.945) | — | 24.5(.965) | 30.5(1.200) | 24.5(.965) | 8 |
| 24-37 | 32.0(1.260) | 28.40(1.118) | 32.5(1.280) | 38.5(1.516) | 32.5(1.280) | 6 |
| 38-61 | 44.0(1.732) | 40.40(1.596) | 44.5(1.752) | 50.5(1.988) | 44.5(1.752) | 5 |
| 62-80 | 56.0(2.204) | 52.50(2.067) | 56.5(2.224) | 62.5(2.460) | 56.5(2.224) | 4 |



WIDTH : 16.24 mm Carrier

WIDTH : 32.44.56 mm Carrier



THESE DRAWINGS AND SPECIFICATIONS ARE THE PROPERTY OF ON-SHORE TECHNOLOGY, INC. AND SHALL NOT BE REPRODUCED, COPIED OR USED IN ANY MANNER WITHOUT THE PRIOR WRITTEN CONSENT OF ON-SHORE TECHNOLOGY, INC.

| | | | | | | |
|--------------------|---------------------|--|---------------------|--|------------------|--|
| TITLE | | FPC0504 Series - 0.50mm . One-Touch FFC/FPC SMT REEL PACKAGING | | | | |
| PART NO. | | DWG NO. | | 4050 | | |
| APPROVED | CHECKED | DESIGNED | DRAWN | Tolerance | | |
| Alex 2007.05.05 | David 2007.05.05 | Eisley 2005.05.05 | Sandy 2007.05.05 | UNIT: mm/inch SCALE: NONE SHEET: 02/02 REV: A | | |
| | | | | .X | $\pm 0.15/0.006$ | |
| | | | | .XX | $\pm 0.10/0.004$ | |
| | | | | .XXX | $\pm 0.05/0.002$ | |