

SIGN	DATE	DESCRIPTION	APPROVER
			Tony

THIS IS CAD DRAWING, DO NOT REVISE MANUAL Y!!!

### SPECIFICATIONS

#### RATINGS

Current Rating: 0.4 A  
Voltage Rating: 50V AC(r.m.s.)  
Temperature Range: -25°C - +85°C  
Contact Resistance: <30mΩ  
Insulation Resistance: >100MΩ  
Dielectric Withstanding Volt: 250V AC for 1 min

#### MATERIAL:

Body: Glass Filled Polyamide, Color Ivory  
Slider: Glass Filled Polyamide, Color Black  
Contact: Copper Alloy with Tin plating  
Plating: 120u" Tin over 30u" Nickel  
Fixed Tab: Copper Alloy with Tin plating  
Flammability: UL94V-0

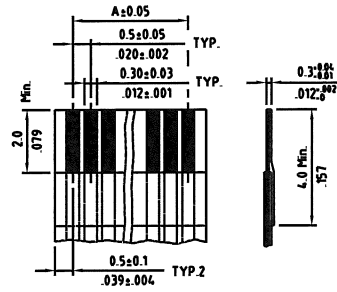
RoHS Compliant

### Part Number

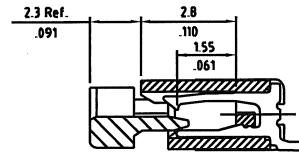
FPC0501XXRU5XX0

# of circuits

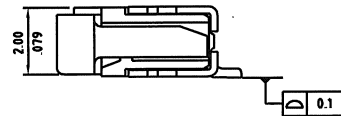
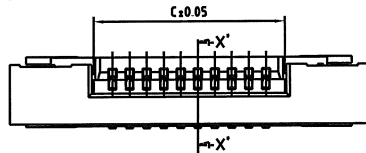
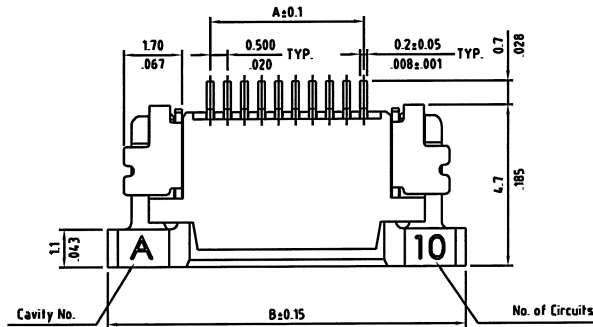
Packaging  
TU - Tube  
TR - tape/reel (2k)



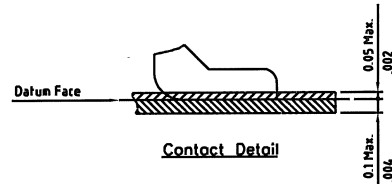
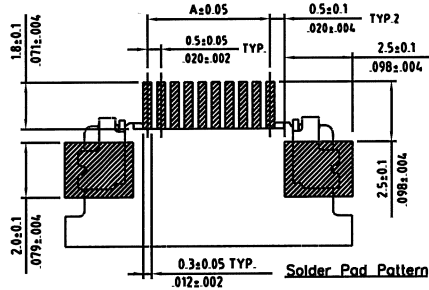
Accommodated FFC/FPC



SEC.: X-X'



A = 0.50 \* No. of Spaces  
B = A + 6.0  
C = A + 1.1  
\* Available in 02 through 27 circuits



THESE DRAWINGS AND SPECIFICATIONS ARE THE PROPERTY OF ON-SHORE TECHNOLOGY, INC. AND SHALL NOT BE REPRODUCED, COPIED OR USED IN ANY MANNER WITHOUT THE PRIOR WRITTEN CONSENT OF ON-SHORE TECHNOLOGY, INC.



TITLE		FPC0501 Series - 0.50mm SMT ZIF FFC/FPC upside connector			
PART NO.		FPC0501XXRU5XX0		DWG NO. FPC0501XXRU5XX0.DWG	
APPROVED		CHECKED	DESIGNED	DRAWN	4050
Alex 2007.05.05		David 2007.05.05	Eisley 2005.05.05	Sandy 2007.05.05	Tolerance
				UNIT: mm/inch X ±0.15/0.006	
				SCALE: NONE .XX ±0.10/.004	
				.XXX ±0.05/.002	
				SHEET: 01/02	
				REV: A	

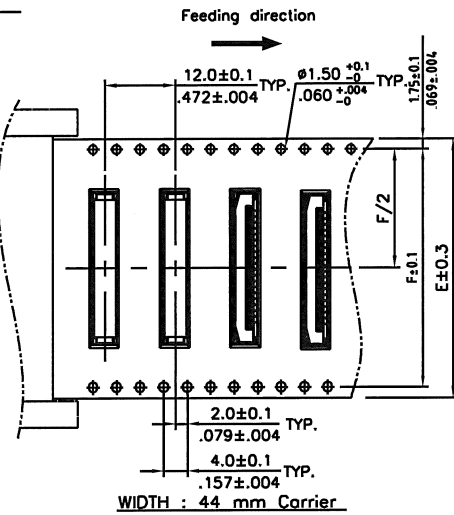
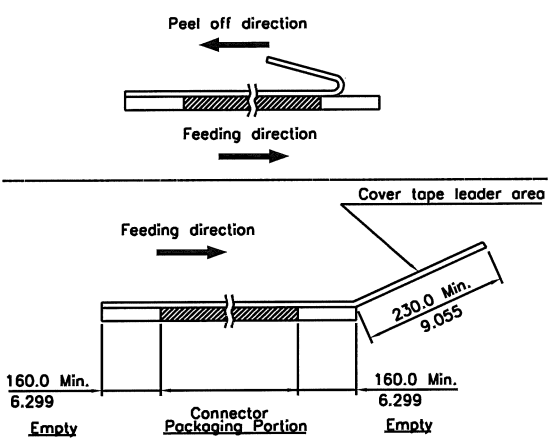
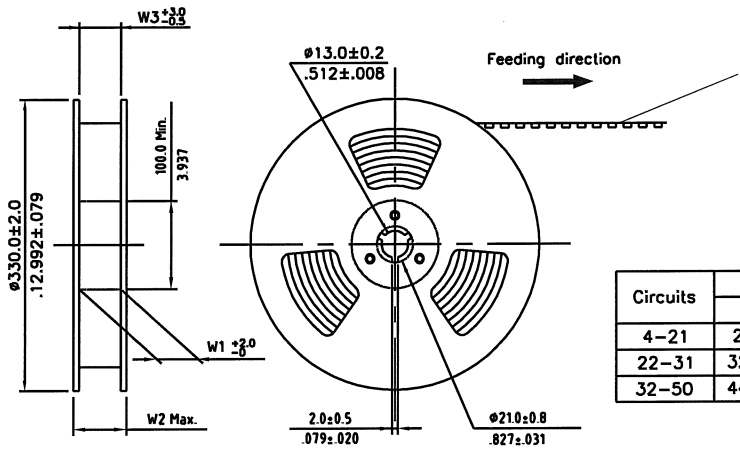
SIGN	DATE	DESCRIPTION	APPROVER
			Tony

THIS IS CAD DRAWING, DO NOT REVISE MANUALLY!!!

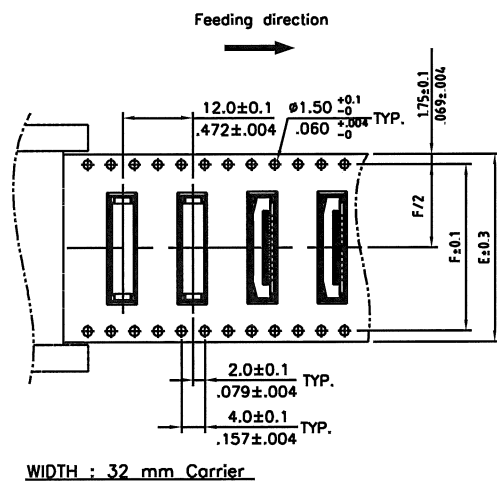
NOTE :

- \* Reel Material : HIPS
- \* Carrier Material : Clear, Conductive Polystyrene Alloy
- \* Cover Tape Material : Polyester
- \* Cover Tape Peel Strength : 0.1N - 1.3N
- \* Carrier camber is within 1mm in 100mm
- \* All dimensions meet EIA-481-2 & EIA-481-3 requirements.
- \* Quantity : Side Entry 2000/Reel Top Entry 1000/Reel

Circuits	Dimension					Packing (Reel/Caton)
	E	F	W1	W2	W3	
4-21	24.0(.945)	-	24.5(.965)	30.5(1.200)	24.5(.965)	9
22-31	32.0(1.260)	28.40(1.118)	32.5(1.280)	38.5(1.516)	32.5(1.280)	7
32-50	44.0(1.732)	40.40(1.596)	44.5(1.752)	50.5(1.988)	44.5(1.752)	5



WIDTH : 44 mm Carrier



WIDTH : 32 mm Carrier

THESE DRAWINGS AND SPECIFICATIONS ARE THE PROPERTY OF ON-SHORE TECHNOLOGY, INC. AND SHALL NOT BE REPRODUCED, COPIED OR USED IN ANY MANNER WITHOUT THE PRIOR WRITTEN CONSENT OF ON-SHORE TECHNOLOGY, INC.

# OST ON-SHORE TECHNOLOGY, INC.

TITLE		FPC0501 Series - 0.50mm SMT REEL PACKAGING					
PART NO.		FPC0501		DWG NO.		FPC0501.DWG	
APPROVED		CHECKED	DESIGNED	DRAWN	4050		
Alex	2007.05.05	David	2007.05.05	Eisley	2005.05.05	Sandy	2007.05.05
SHEET: 02/02		UNIT: mm/inch		Tolerance			
		SCALE: NONE		X ±0.15/0.006			
		REV: A		XX ±0.10/0.04			
				XXX ±0.05/0.002			