

SIGN	DATE	DESCRIPTION	APPROVER
			Tony
THIS IS CAD DRAWING, DO NOT REVISE MANUALLY!!!			

SPECIFICATIONS

RATINGS
 Current Rating: 0.4A
 Voltage Rating: 50V AC(r.m.s.)
 Temperature Range: -25°C ~ +85°C
 Contact Resistance: <30mΩ
 Insulation Resistance: >100MΩ
 Dielectric Withstanding Volt: 250V AC for 1 min

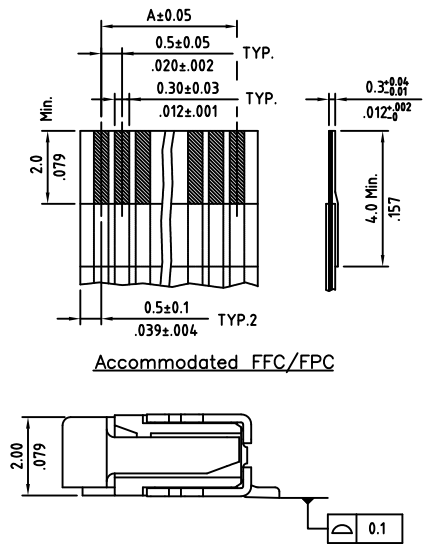
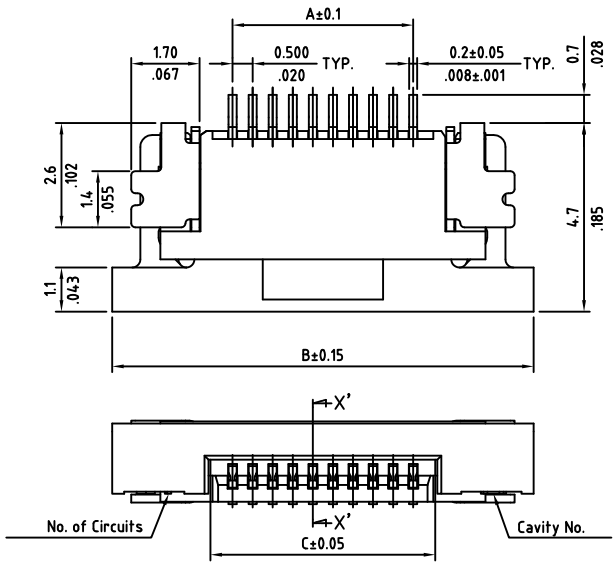
MATERIAL:
 Body: Glass Filled Polyamide, Color Ivory
 Slider: Glass Filled Polyamide, Color Black
 Contact: Copper Alloy with Tin plating
 Plating: 120u" Tin over 30u" Nickel
 Fixed Tab: Copper Alloy with Tin plating
 Flammability: UL94V-0

RoHS Compliant

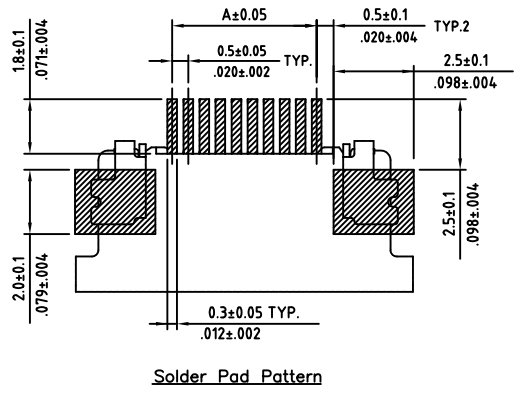
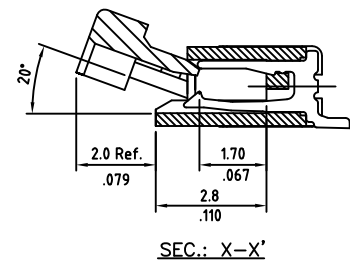
Part Number

FPC0501XXRD5XX0

of circuits Packaging
 TU - tube
 TR - tape/reel (2k)



A = 0.50 * No. of Spaces
 B = A + 6.0
 C = A + 1.1
 * Available in 4 through 55 circuits



THESE DRAWINGS AND SPECIFICATIONS ARE THE PROPERTY OF ON-SHORE TECHNOLOGY, INC. AND SHALL NOT BE REPRODUCED, COPIED OR USED IN ANY MANNER WITHOUT THE PRIOR WRITTEN CONSENT OF ON-SHORE TECHNOLOGY, INC.

TITLE		FPC0501 Series - 0.50mm SMT ZIF FFC/FPC downside connector			
PART NO.	FPC0501XXRD5XX0	DWG NO.	FPC0501XXRD5XX0.DWG		
APPROVED	CHECKED	DESIGNED	DRAWN	4050	
Alex 2007.05.05	David 2007.05.05	Eisley 2005.05.05	Sandy 2007.05.05	Tolerance	
				UNIT:	mm/inch
				SCALE:	NONE
SHEET: 01/02				REV:	B