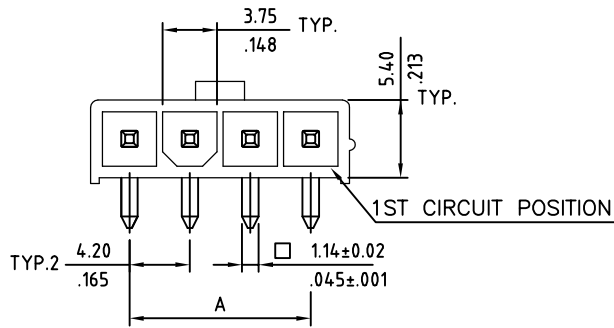
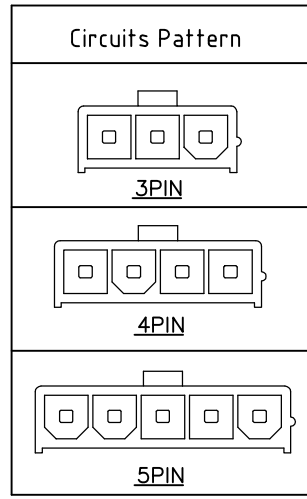
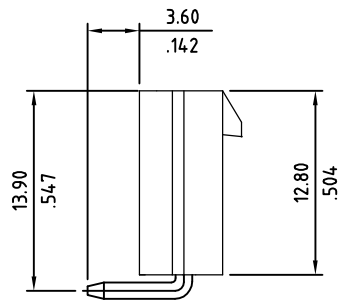
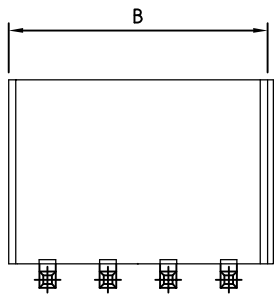


SIGN	DATE	DESCRIPTION	APPROVER
		<i>THIS IS CAD DRAWING, DO NOT REVISE MANUALLY!!!</i>	



1ST CIRCUIT POSITION



Circuits	Dimension	
	A	B
03	8.4(.331)	13.8(.543)
04	12.6(.496)	18.0(.709)
05	16.8(.661)	22.2(.874)

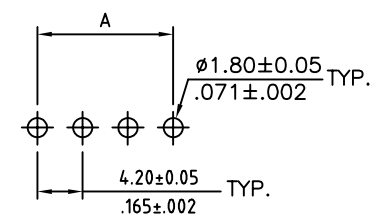
**Material**

- Body: Nylon 6T
- Color: Natural
- Contacts: Brass  
Plating: Tin over Nickel  
other options available, MOQ may be required
- Flammability: UL94V-0

**Electrical**

- Current: 9A max
- Voltage: 600V AC(r.m.s.)
- Dielectric Withstanding: 1500 VAC for one minute
- Insulation Resistance: >1000 MΩ
- Contact Resistance: <10 mΩ
- Operating Temperature: -25°C ~ 85°C

RoHS Compliant



Recommended P.C. Board Layout



THESE DRAWINGS AND SPECIFICATIONS ARE THE PROPERTY OF ON-SHORE TECHNOLOGY, INC. AND SHALL NOT BE REPRODUCED, COPIED OR USED IN ANY MANNER WITHOUT THE PRIOR WRITTEN CONSENT OF ON-SHORE TECHNOLOGY, INC.

TITLE		420B1R Series - 4.2mm latch n' lock, single row housing, right/angle			
PART NO.	420B1RXX00	XX - circuits	DWG NO.	420B1RXX00.DWG	
APPROVED	CHECKED	DESIGNED	DRAWN	4050	
Shi Jun 2003.04.07	Marvin 2003.04.07	Marvin 2003.04.07	Marvin 2003.04.07	Tolerance	
					UNIT: mm/inches
					SCALE: NONE
				SHEET: 01/01	REV: A
				X.X	±0.38/.015
				X.XX	±0.25/.010
				X.XXX	±0.10/.004
				X*	±1°