

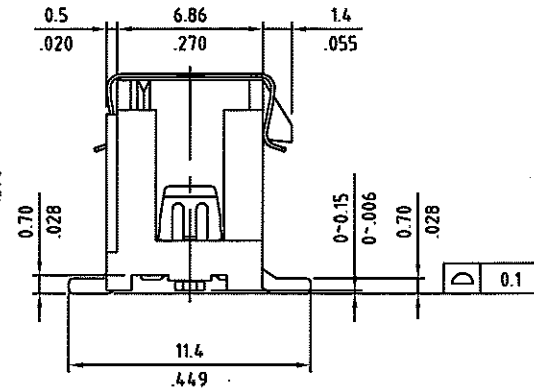
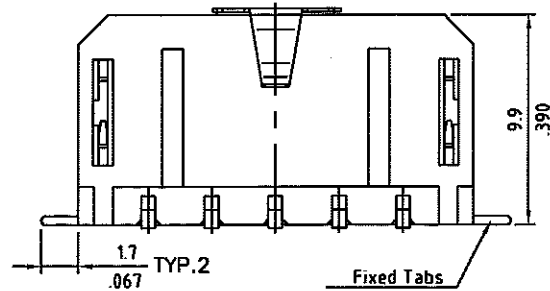
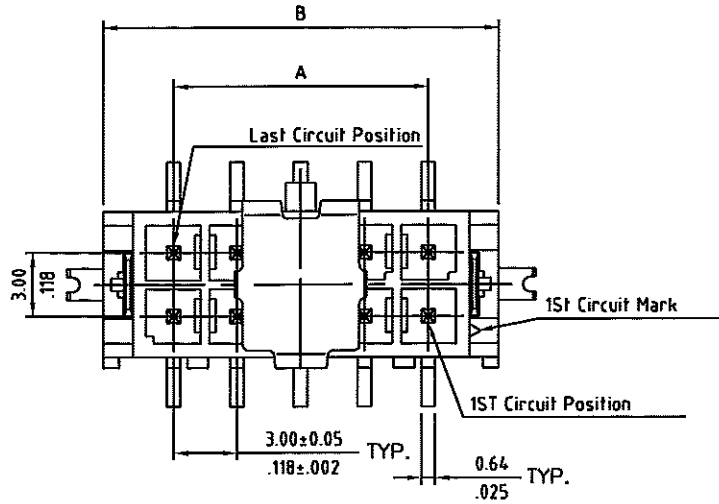
SIGN	DATE	DESCRIPTION	APPROVER
			Tony
THIS IS CAD DRAWING, DO NOT REVISE MANUALLY!!!			

**SPECIFICATIONS**

Body: Nylon 6T  
 Color: Black  
 Flammability: UL94V-0  
 Packaging: Tape/Reel  
 Tabs: Brass with Matte Tin  
 Current: 5A for AWG#20-22  
           4A for AWG#24  
           2A for AWG#26  
           1A for AWG#28-30  
 Voltage: 250V AC(r.m.s.)  
 Dielectric Withstanding: 1500 VAC for one minute  
 Insulation Resistance: >1000 MΩ  
 Contact Resistance: <10 mΩ  
 Operating Temperature: -40°C ± 105°C  
 Soldering Time: 20 seconds maximum  
 Soldering Pot: 250°C-260°C

RoHS Compliant

CIRCUITS	DIM. A	DIM. B
02	—	6.7(.264)
04	3.00(.118)	9.7(.382)
06	6.00(.236)	12.7(.500)
08	9.00(.354)	15.7(.618)
10	12.00(.472)	18.7(.736)
12	15.00(.591)	21.7(.854)
14	18.00(.709)	24.7(.972)
16	21.00(.827)	27.7(1.091)
18	24.00(.945)	30.7(1.209)
20	27.00(1.063)	33.7(1.327)
22	30.00(1.181)	36.7(1.445)
24	33.00(1.299)	39.7(1.563)

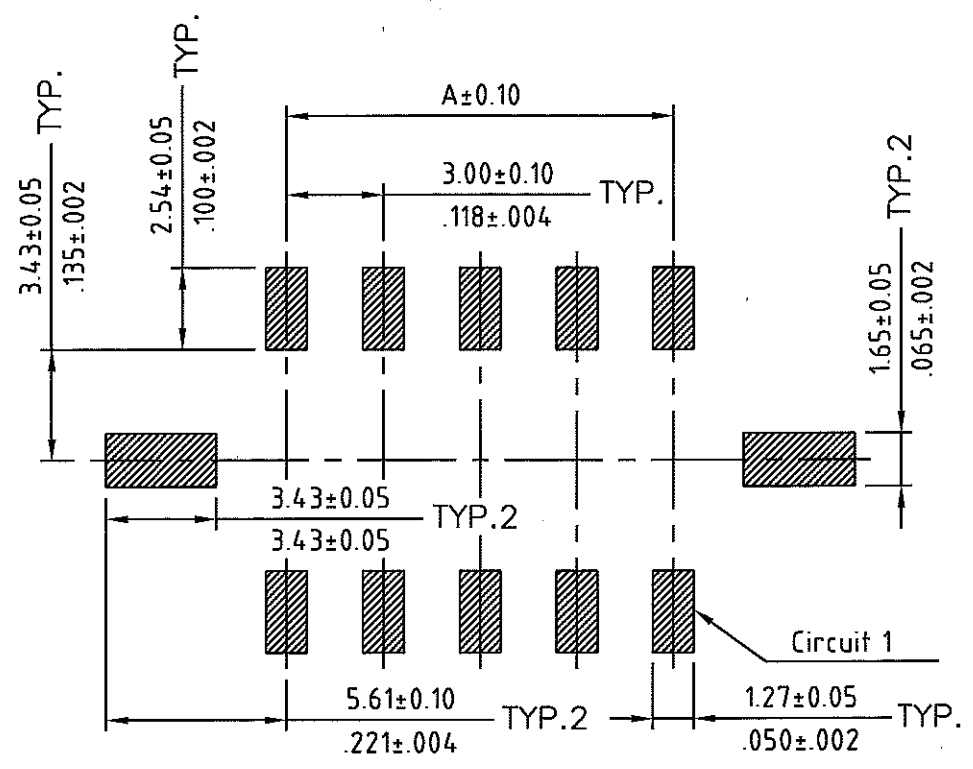


THESE DRAWINGS AND SPECIFICATIONS ARE THE PROPERTY OF ON-SHORE TECHNOLOGY, INC. AND SHALL NOT BE REPRODUCED, COPIED OR USED IN ANY MANNER WITHOUT THE PRIOR WRITTEN CONSENT OF ON-SHORE TECHNOLOGY, INC.



TITLE		300HBS2V series, 3.00mm latch'n lock, vertical, dual row, with fixed tabs, SMT			
PART NO.		300HBS2VXXF (xx - circuits)		DWG NO. 300HBS2VXXF.DWG	
APPROVED	CHECKED	DESIGNED	DRAWN	4050	
Sam 2007.07.13	Tony 2007.07.13	Ralph 2007.07.13	Lin 2007.07.13	Tolerance	
				UNIT: mm/inches SCALE: NONE SHEET: 01/03	X ±0.30/.012 X.X ±0.20/.008 X.XX ±0.10/.004 X* ±1°
					REV: A

SIGN	DATE	DESCRIPTION	APPROVER
			Tony
THIS IS CAD DRAWING, DO NOT REVISE MANUALLY!!!			

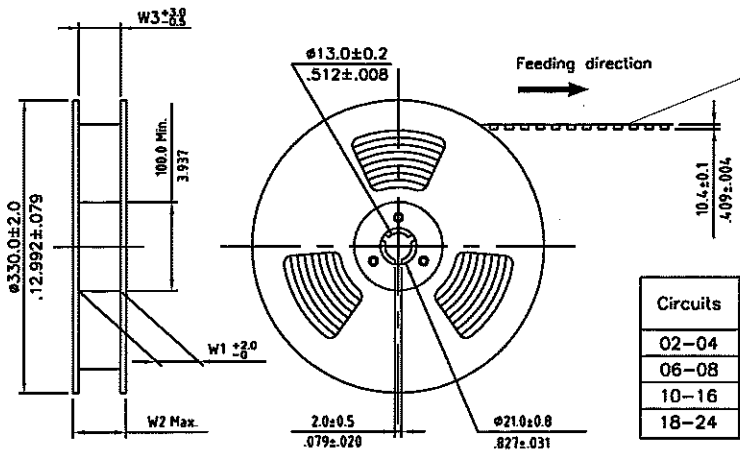


Recommended P.C. Board Layout

THESE DRAWINGS AND SPECIFICATIONS ARE THE PROPERTY OF ON-SHORE TECHNOLOGY, INC. AND SHALL NOT BE REPRODUCED, COPIED OR USED IN ANY MANNER WITHOUT THE PRIOR WRITTEN CONSENT OF ON-SHORE TECHNOLOGY, INC.

<b>OST ON-SHORE TECHNOLOGY, INC.</b>										
TITLE		300HBS2V series, 3.00mm latch'n lock, vertical, dual row, with fixed tabs, SMT								
PART NO.		300HBS2VXXF (xx - circuits)			DWG NO.		300HBS2VXXF.DWG			
APPROVED		CHECKED	DESIGNED	DRAWN	4050			Tolerance		
Sam	Tony	Ralph	Lin					X	±0.30/.012	
2007.07.13	2007.07.13	2007.07.13	2007.07.13					X.X	±0.20/.008	
					SHEET: 02/03		REV: A		X.XX	±0.10/.004
									X°	±1°

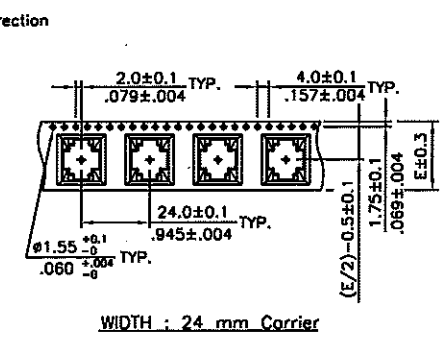
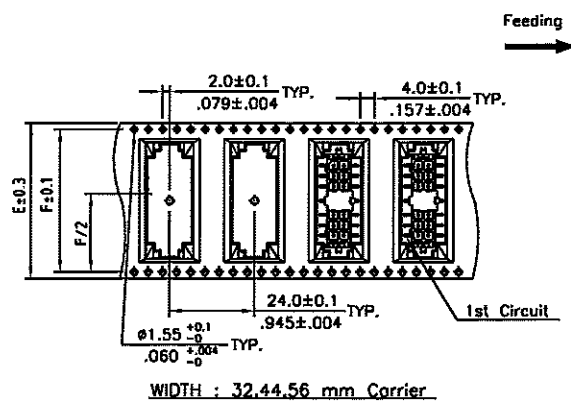
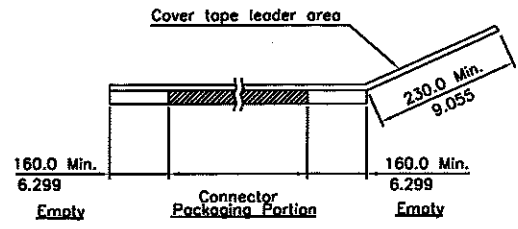
SIGN	DATE	DESCRIPTION	APPROVER
			Tony
THIS IS CAD DRAWING, DO NOT REVISE MANUALLY!!!			



NOTE :

- \* Reel Material : HIPS
- \* Carrier Material : Transparent,Conductive Polystyrene Alloy
- \* Cover Tape Material : Polyester
- \* Cover Tape Peel Strength : 0.1N - 1.3N
- \* Carrier camber is within 1mm in 250mm
- \* All dimensions meet EIA-481-B requirements.
- \* Quantity : 250 PCS/Reel

Circuits	Dimension					Packing (Reel/Caton)
	E	F	W1	W2	W3	
02-04	24.0(.945)	-	24.5(.965)	30.5(1.200)	24.5(.965)	9
06-08	32.0(1.260)	28.40(1.118)	32.5(1.280)	38.5(1.516)	32.5(1.280)	7
10-16	44.0(1.732)	40.40(1.596)	44.5(1.752)	50.5(1.988)	44.5(1.752)	5
18-24	56.0(2.205)	52.40(2.063)	56.5(2.224)	62.5(2.461)	56.5(2.224)	3



THESE DRAWINGS AND SPECIFICATIONS ARE THE PROPERTY OF ON-SHORE TECHNOLOGY, INC. AND SHALL NOT BE REPRODUCED, COPIED OR USED IN ANY MANNER WITHOUT THE PRIOR WRITTEN CONSENT OF ON-SHORE TECHNOLOGY, INC.

TITLE		300HBS2V series, 3.00mm latch'n lock, vertical, dual row, with fixed tabs, SMT		
PART NO.	300HBS2VXXF (xx - circuits)	DWG NO.	300HBS2VXXF.DWG	
APPROVED	CHECKED	DESIGNED	DRAWN	4050
Sam 2007.07.13	Tony 2007.07.13	Ralph 2007.07.13	Lin 2007.07.13	
SHEET: 03/03				Tolerance
UNIT: mm/inches				X .30/.012
SCALE: NONE				XX .20/.008
REV: A				XXX .10/.004
				X* ±1°