

SIGN	DATE	DESCRIPTION	APPROVER
			Tony

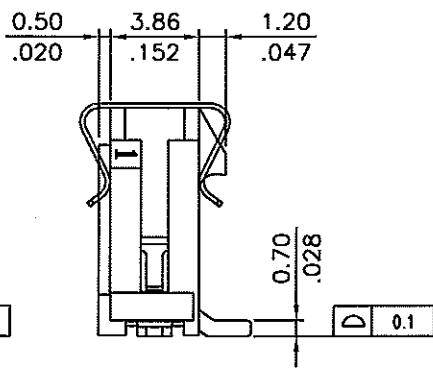
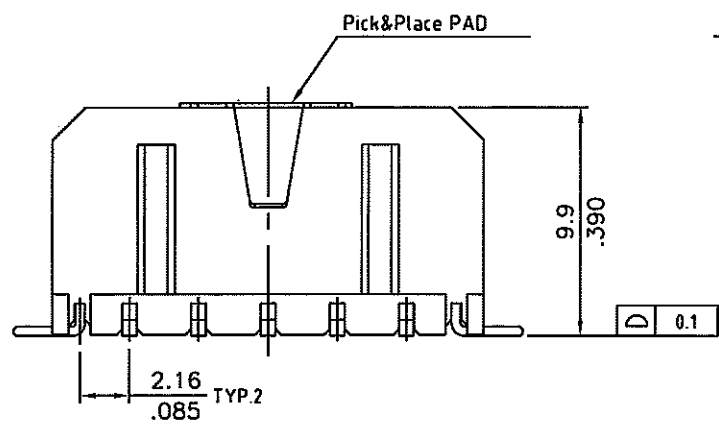
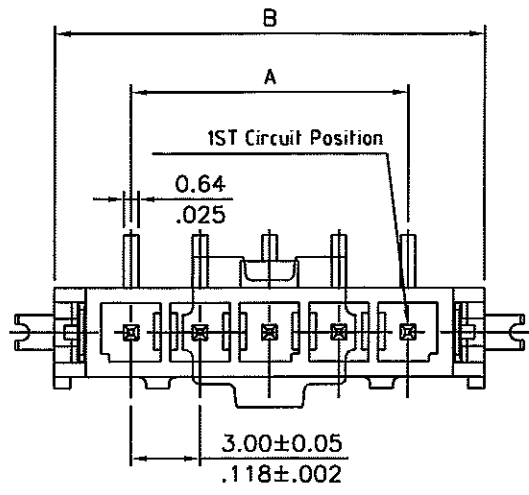
THIS IS CAD DRAWING, DO NOT REVISE MANUALLY!!!

SPECIFICATIONS

Body: Nylon 6T
 Color: Black
 Flammability: UL94V-0
 Packaging: Tape/Reel
 Tabs: Brass with Matte Tin
 Current: 5A for AWG#20-22
 4A for AWG#24
 2A for AWG#26
 1A for AWG#28-30
 Voltage: 250V AC(r.m.s.)
 Dielectric Withstanding: 1500 VAC for one minute
 Insulation Resistance: >1000 MΩ
 Contact Resistance: <10 mΩ
 Operating Temperature: -40°C ± 105°C
 Soldering Time: 20 seconds maximum
 Soldering Pot: 250°C-260°C

RoHS Compliant

CIRCUITS	DIM.A	DIM.B	DIM.C
02	3.00(118)	9.65(380)	14.2(559)
03	6.00(236)	12.65(498)	17.2(677)
04	9.00(354)	15.65(616)	20.2(795)
05	12.00(472)	18.65(734)	23.2(913)
06	15.00(591)	21.65(852)	26.2(1031)
07	18.00(709)	24.65(970)	29.2(1150)
08	21.00(827)	27.65(1089)	32.2(1268)
09	24.00(945)	30.65(1207)	35.2(1386)
10	27.00(1063)	33.65(1325)	38.2(1504)
11	30.00(1181)	36.65(1443)	41.2(1622)
12	33.00(1299)	39.65(1561)	44.2(1740)



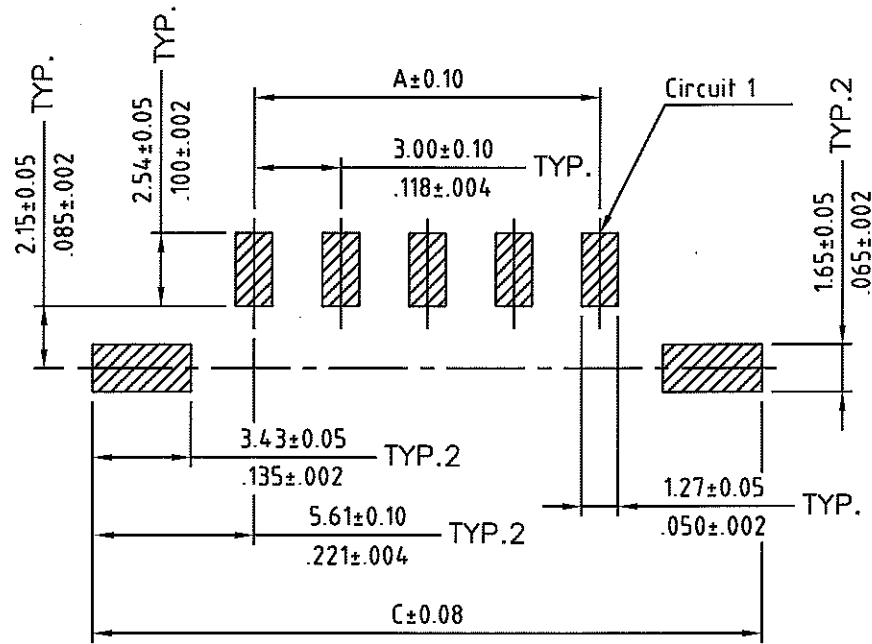
THESE DRAWINGS AND SPECIFICATIONS ARE THE PROPERTY OF ON-SHORE TECHNOLOGY, INC. AND SHALL NOT BE REPRODUCED, COPIED OR USED IN ANY MANNER WITHOUT THE PRIOR WRITTEN CONSENT OF ON-SHORE TECHNOLOGY, INC.



TITLE		300HBS1V series, 3.00mm latch'n lock, vertical, single row, with fixed tabs, SMT			
PART NO.		300HBS1VXXF (xx - circuits)		DWG NO.	300HBS1VXXF.DWG
APPROVED	CHECKED	DESIGNED	DRAWN	4050	
Sam 2007.07.13	Tony 2007.07.13	Ralph 2007.07.13	Lin 2007.07.13	Tolerance	
					UNIT: mm/inches
					SCALE: NONE
				SHEET: 01/03	REV: A
				X	±0.30/.012
				XX	±0.20/.008
				XXX	±0.10/.004
				X*	±1°

SIGN	DATE	DESCRIPTION	APPROVER
			Tony

THIS IS CAD DRAWING, DO NOT REVISE MANUALLY!!!



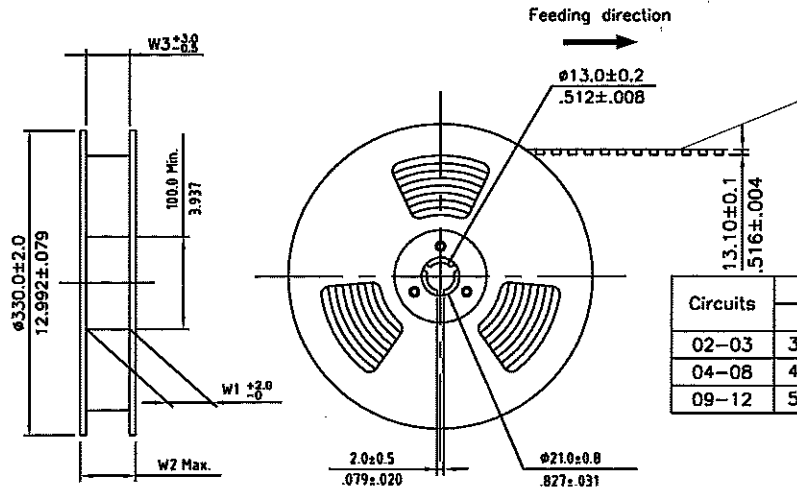
Recommended P.C. Board Layout



THESE DRAWINGS AND SPECIFICATIONS ARE THE PROPERTY OF ON-SHORE TECHNOLOGY, INC. AND SHALL NOT BE REPRODUCED, COPIED OR USED IN ANY MANNER WITHOUT THE PRIOR WRITTEN CONSENT OF ON-SHORE TECHNOLOGY, INC.

TITLE		300HBS1V series, 3.00mm latch'n lock, vertical, single row, with fixed tabs, SMT			
PART NO.		300HBS1VXXF (xx - circuits)		DWG NO. 300HBS1VXXF.DWG	
APPROVED		CHECKED	DESIGNED	DRAWN	4050
Sam 2007.07.13	Tony 2007.07.13	Ralph 2007.07.13	Lin 2007.07.13		
				UWT: mm/inches	Tolerance
				SCALE: NONE	X. ±0.30/.012
				REV: A	X.X ±0.20/.008
				SHEET: 02/03	X.XX ±0.10/.004
					X* ±1°

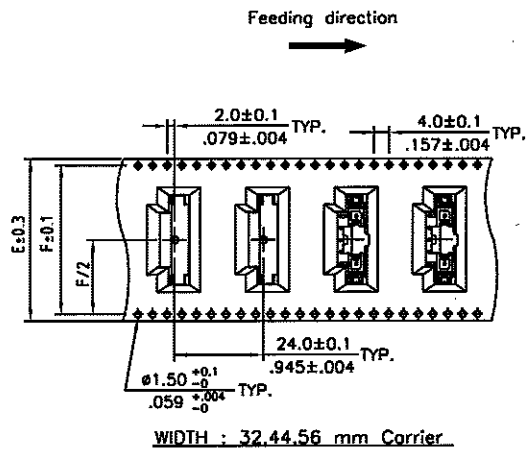
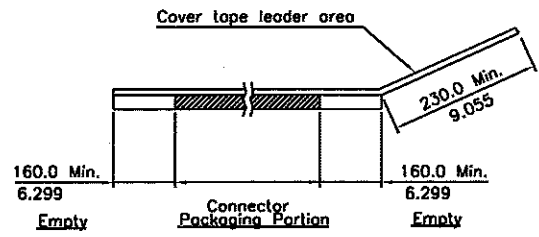
SIGN	DATE	DESCRIPTION	APPROVER
			Tony
THIS IS CAD DRAWING, DO NOT REVISE MANUALLY!!!			



NOTE :

- * Reel Material : HIPS
- * Carrier Material : Transparent,Conductive Polystyrene Alloy
- * Cover Tape Material : Polyester
- * Cover Tape Peel Strength : 0.1N - 1.3N
- * Carrier camber is within 1mm in 250mm
- * All dimensions meet EIA-481-B requirements.
- * Quantity : 200 PCS/Reel

Circuits	Dimension					Packing (Reel/Caton)
	E	F	W1	W2	W3	
02-03	32.0(1.260)	28.40(1.118)	32.5(1.280)	38.5(1.516)	32.5(1.280)	7
04-08	44.0(1.732)	40.40(1.596)	44.5(1.752)	50.5(1.988)	44.5(1.752)	5
09-12	56.0(2.205)	52.40(2.063)	56.5(2.224)	62.5(2.461)	56.5(2.224)	4



THESE DRAWINGS AND SPECIFICATIONS ARE THE PROPERTY OF ON-SHORE TECHNOLOGY, INC. AND SHALL NOT BE REPRODUCED, COPIED OR USED IN ANY MANNER WITHOUT THE PRIOR WRITTEN CONSENT OF ON-SHORE TECHNOLOGY, INC.

OST ON-SHORE TECHNOLOGY, INC.

TITLE	300HBS1V series, 3.00mm latch'n lock, vertical, single row, with fixed fabs, SMT				
PART NO.	300HBS1VXXF (xx - circuits)	DWG NO.	300HBS1VXXF.DWG		
APPROVED	CHECKED	DESIGNED	DRAWN	4050	
Sam 2007.07.13	Tony 2007.07.13	Ralph 2007.07.13	Lin 2007.07.13	Tolerance	
				UNIT: mm/inches	X. ±0.30/.012
				SCALE: NONE	X.X ±0.20/.008
				REV: A	X.XX ±0.10/.004
				SHEET: 03/03	X° ±1°