

SIGN	DATE	DESCRIPTION	APPROVER
			Tony

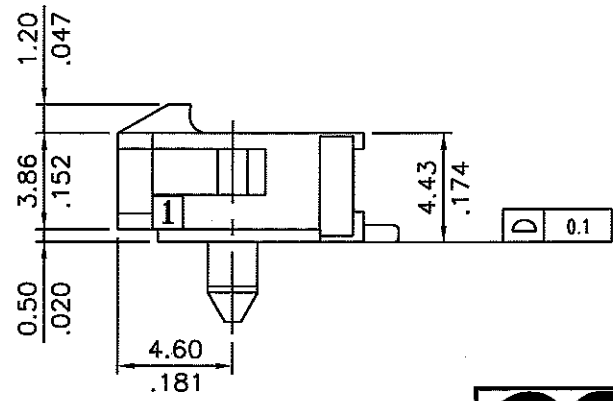
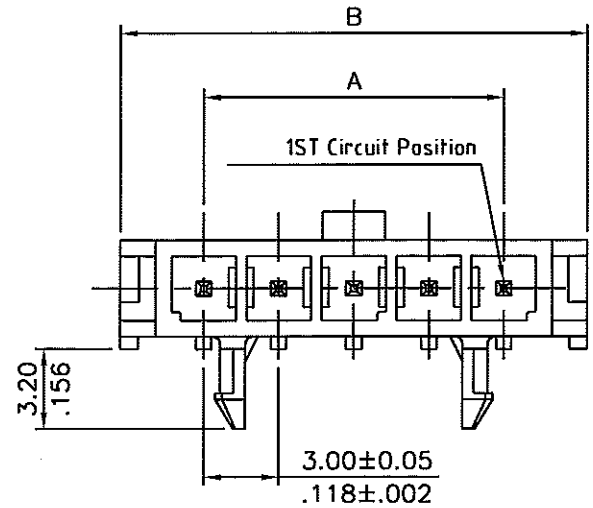
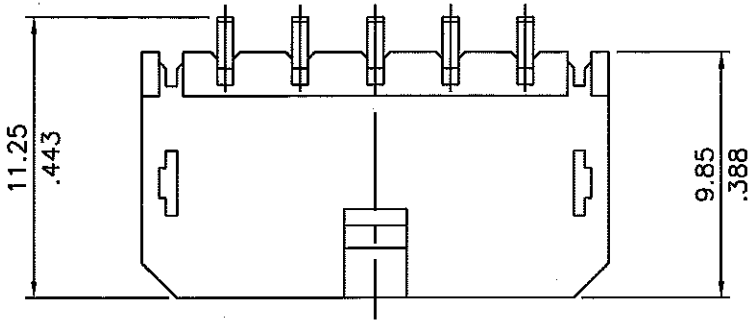
THIS IS CAD DRAWING, DO NOT REVISE MANUALLY!!!

**SPECIFICATIONS**

Body: PBT  
 Color: Black  
 Flammability: UL94 V-0  
 Current: 5A for AWG#20-22  
           4A for AWG#24  
           2A for AWG#26  
           1A for AWG#28-30  
 Voltage: 250V AC(r.m.s.)  
 Dielectric Withstanding: 1500 VAC for one minute  
 Insulation Resistance: >1000 MΩ  
 Contact Resistance: <10 mΩ  
 Operating Temperature: -40°C ± 105°C  
 Soldering Time: 20 seconds maximum  
 Soldering Pot: 250°C-260°C

**RoHS Compliant**

CIRCUITS	DIM.A	DIM.B	DIM.C
02	3.00(.118)	9.65(.380)	NA
03	6.00(.236)	12.65(.498)	NA
04	9.00(.354)	15.65(.616)	4.7(.185)
05	12.00(.472)	18.65(.734)	7.7(.303)
06	15.00(.591)	21.65(.852)	10.7(.421)
07	18.00(.709)	24.65(.970)	13.7(.539)
08	21.00(.827)	27.65(1.089)	16.7(.657)
09	24.00(.945)	30.65(1.207)	19.7(.776)
10	27.00(1.063)	33.65(1.325)	22.7(.894)
11	30.00(1.181)	36.65(1.443)	25.7(1.012)
12	33.00(1.299)	39.65(1.561)	28.7(1.130)

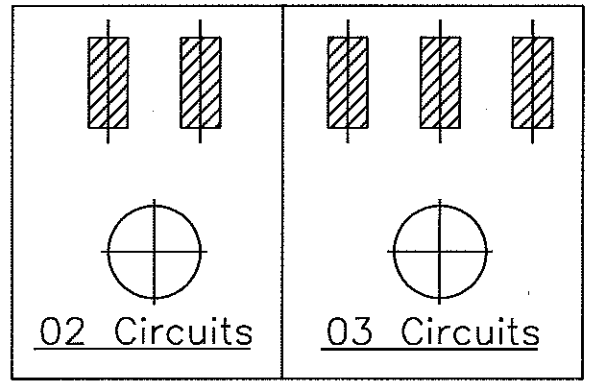
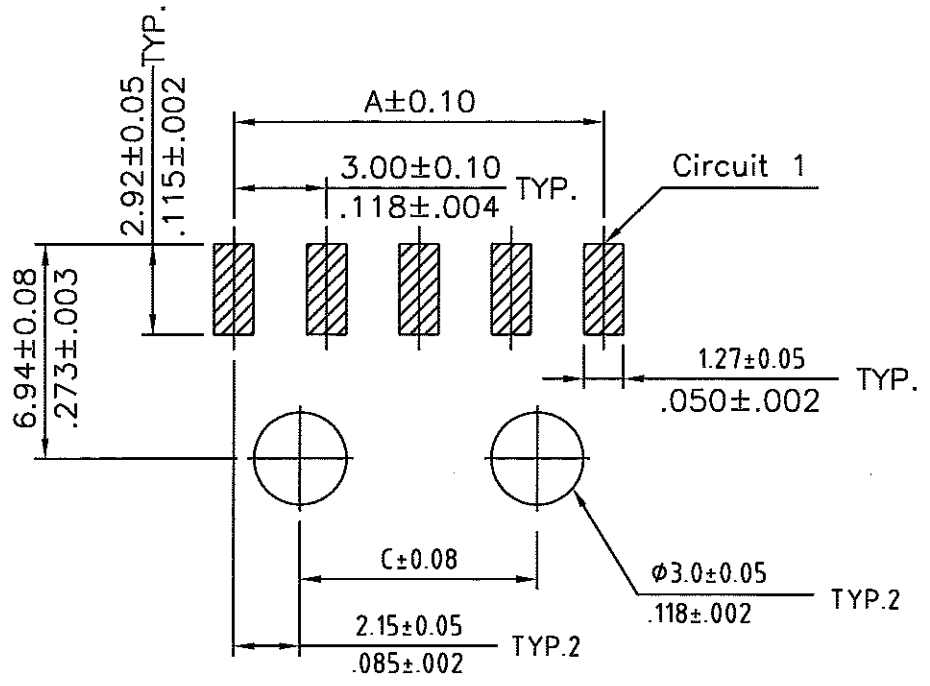


THESE DRAWINGS AND SPECIFICATIONS ARE THE PROPERTY OF ON-SHORE TECHNOLOGY, INC. AND SHALL NOT BE REPRODUCED, COPIED OR USED IN ANY MANNER WITHOUT THE PRIOR WRITTEN CONSENT OF ON-SHORE TECHNOLOGY, INC.



TITLE				4050		Tolerance	
PART NO.	300HBS1RXXP (xx - circuits)	DWG NO.	300HBS1RXXP.DWG				
APPROVED	CHECKED	DESIGNED	DRAWN				
		Tony 2006.02.07	Tony 2006.02.07				
				SHEET: 01/02		REV: A	
				UNIT: mm./inches		X ±0.30/.012	
				SCALE: NONE		X.X ±0.20/.008	
						X.XX ±0.10/.004	
						X* ±1*	

SIGN	DATE	DESCRIPTION	APPROVER
			Tony
THIS IS CAD DRAWING, DO NOT REVISE MANUALLY!!!			



Recommended P.C. Board Layout

THESE DRAWINGS AND SPECIFICATIONS ARE THE PROPERTY OF ON-SHORE TECHNOLOGY, INC. AND SHALL NOT BE REPRODUCED, COPIED OR USED IN ANY MANNER WITHOUT THE PRIOR WRITTEN CONSENT OF ON-SHORE TECHNOLOGY, INC.

		ON-SHORE TECHNOLOGY, INC.			
		TITLE: 300HBS1R Series - 3.00mm latch'n lock, side entry, single row board side housing, SMT, pegs			
PART NO.		300HBS1RXXP (xx - circuits)		DWG NO. 300HBS1RXXP.DWG	
APPROVED		CHECKED	DESIGNED	DRAWN	4050
			Tony 2006.02.07	Tony 2006.02.07	
					Tolerance X ±0.30/.012 X.X ±0.20/.008 X.XX ±0.10/.004 X* ±1*
					UNIT: mm./inches SCALE: NONE SHEET: 02/02 REV: A