

SIGN	DATE	DESCRIPTION	APPROVER
			Tony

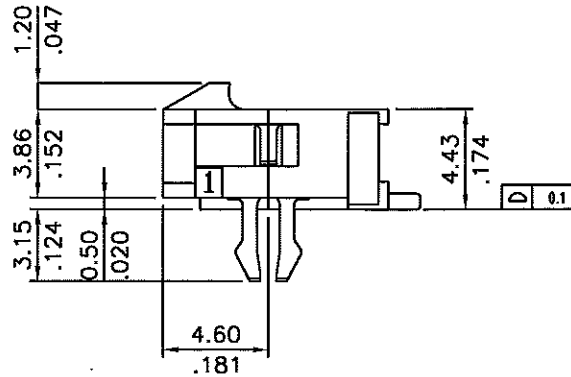
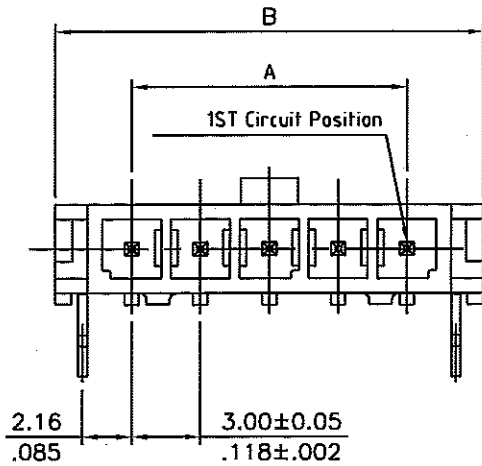
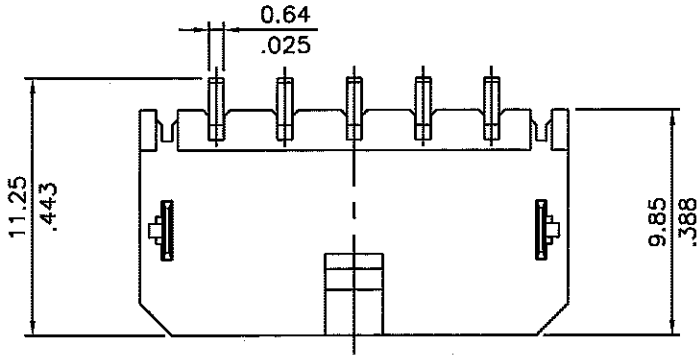
THIS IS CAD DRAWING, DO NOT REVISE MANUALLY!!!

**SPECIFICATIONS**

Body: Nylon 6T  
 Color: Black  
 Flammability: UL94V-0  
 Packaging: Tube  
 Current: 5A for AWG#20-22  
           4A for AWG#24  
           2A for AWG#26  
           1A for AWG#28-30  
 Voltage: 250V AC(r.m.s.)  
 Dielectric Withstanding: 1500 VAC for one minute  
 Insulation Resistance: >1000 MΩ  
 Contact Resistance: <10 mΩ  
 Operating Temperature: -40°C ± 105°C  
 Soldering Time: 20 seconds maximum  
 Soldering Pot: 250°C-260°C

RoHS Compliant

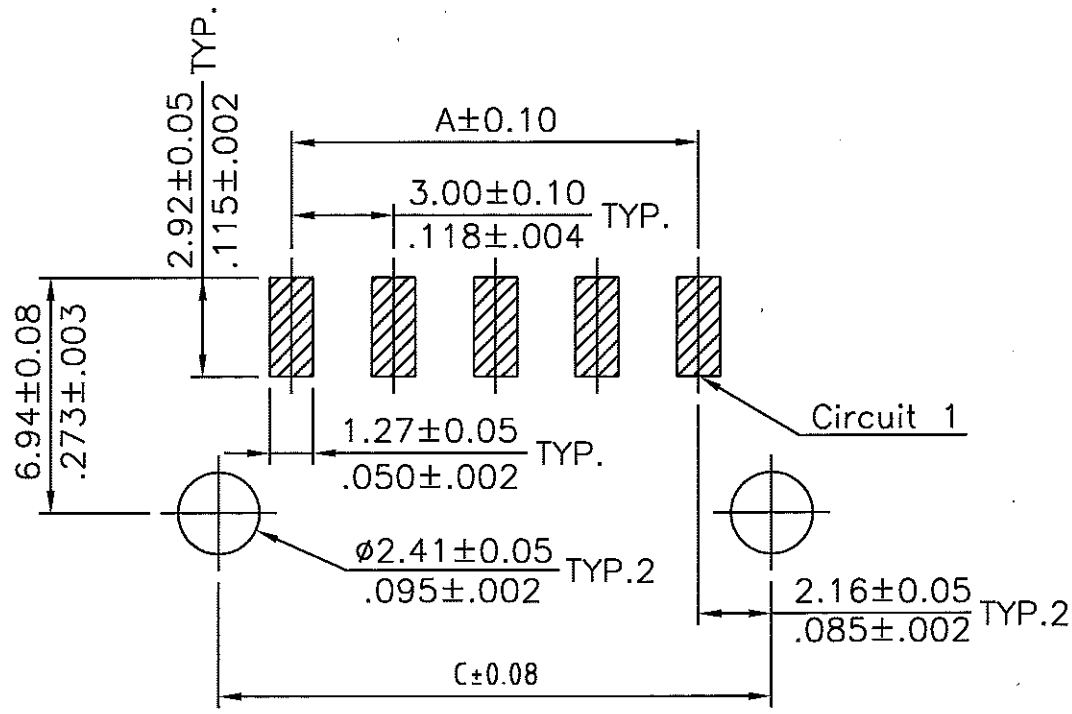
CIRCUITS	DIM.A	DIM.B	DIM.C
02	3.00(118)	9.65(380)	7.3(287)
03	6.00(236)	12.65(498)	10.3(406)
04	9.00(354)	15.65(616)	13.3(524)
05	12.00(472)	18.65(734)	16.3(642)
06	15.00(591)	21.65(852)	19.3(760)
07	18.00(709)	24.65(970)	22.3(878)
08	21.00(827)	27.65(1089)	25.3(996)
09	24.00(945)	30.65(1207)	28.3(1114)
10	27.00(1063)	33.65(1325)	31.3(1232)
11	30.00(1181)	36.65(1443)	34.3(1350)
12	33.00(1299)	39.65(1561)	37.3(1469)



THESE DRAWINGS AND SPECIFICATIONS ARE THE PROPERTY OF ON-SHORE TECHNOLOGY, INC. AND SHALL NOT BE REPRODUCED, COPIED OR USED IN ANY MANNER WITHOUT THE PRIOR WRITTEN CONSENT OF ON-SHORE TECHNOLOGY, INC.

TITLE				300HBS1R series, 3.00mm latch'n lock, side entry, single row, with metal board lock, SMT			
PART NO.		300HBS1RXXM (xx - circuits)		DWG NO.		300HBS1RXXM.DWG	
APPROVED	CHECKED	DESIGNED	DRAWN	4050		Tolerance	
Sam 2007.07.13	Tony 2007.07.13	Ralph 2007.07.13	Lin 2007.07.13			UNIT: mm/inches SCALE: NONE REV.: A	
SHEET: 01/02				X ±0.30/.012		X.X ±0.20/.008	
				X.XX ±0.10/.004		X° ±1°	

SIGN	DATE	DESCRIPTION	APPROVER
			Tony
<i>THIS IS CAD DRAWING, DO NOT REVISE MANUALLY!!!</i>			



Recommended P.C. Board Layout



THESE DRAWINGS AND SPECIFICATIONS ARE THE PROPERTY OF ON-SHORE TECHNOLOGY, INC. AND SHALL NOT BE REPRODUCED, COPIED OR USED IN ANY MANNER WITHOUT THE PRIOR WRITTEN CONSENT OF ON-SHORE TECHNOLOGY, INC.

TITLE		300HBS1R series, 3.00mm latch'n lock, side entry, single row, with metal board lock, SMT													
PART NO.		300HBS1RXXM (xx - circuits)		DWG NO.	300HBS1RXXM.DWG										
APPROVED	CHECKED	DESIGNED	DRAWN	4050											
Sam 2007.07.13	Tony 2007.07.13	Ralph 2007.07.13	Lin 2007.07.13	<table border="1" style="display: inline-table; vertical-align: middle;"> <tr> <td>UNIT: mm/inches</td> <td>Tolerance</td> </tr> <tr> <td>SCALE: NONE</td> <td>X ± 0.30 / 0.12</td> </tr> <tr> <td></td> <td>XX ± 0.20 / 0.08</td> </tr> <tr> <td></td> <td>XXX ± 0.10 / 0.04</td> </tr> <tr> <td></td> <td>X* ± 1°</td> </tr> </table>		UNIT: mm/inches	Tolerance	SCALE: NONE	X ± 0.30 / 0.12		XX ± 0.20 / 0.08		XXX ± 0.10 / 0.04		X* ± 1°
UNIT: mm/inches	Tolerance														
SCALE: NONE	X ± 0.30 / 0.12														
	XX ± 0.20 / 0.08														
	XXX ± 0.10 / 0.04														
	X* ± 1°														
SHEET: 02/02				REV.: A											